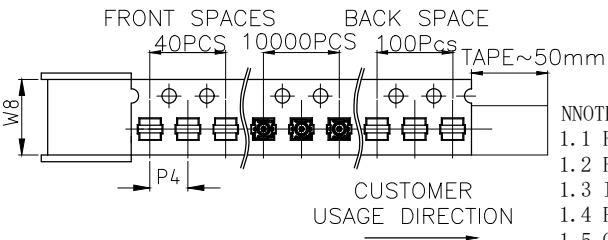
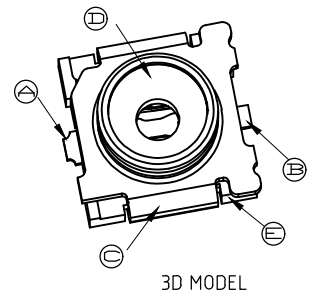
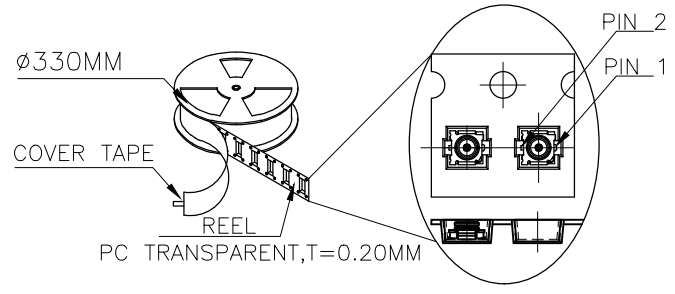
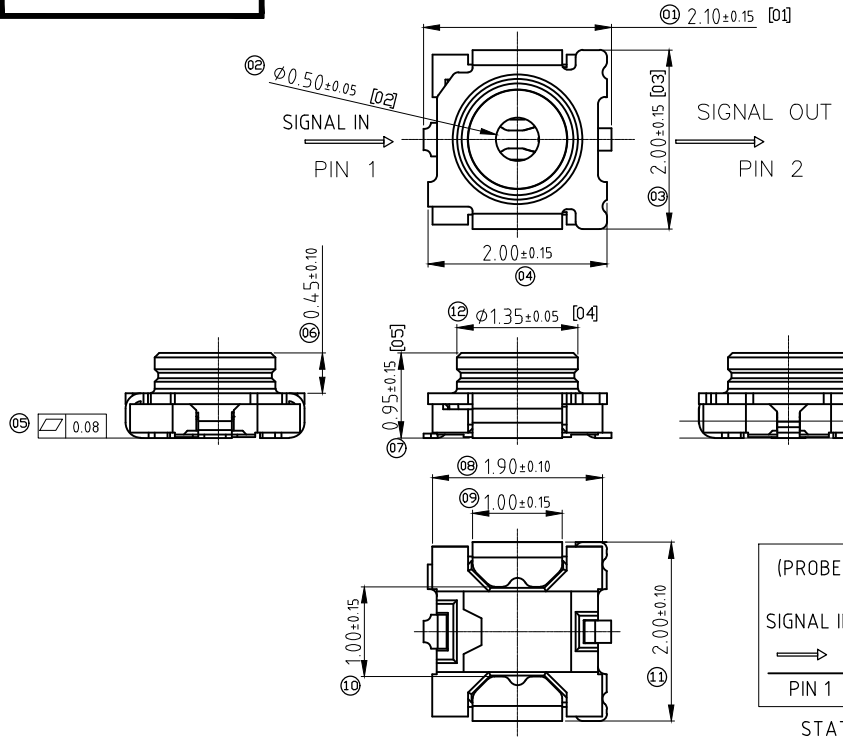
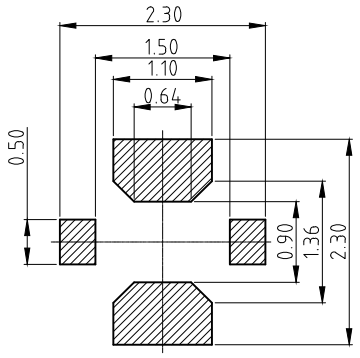
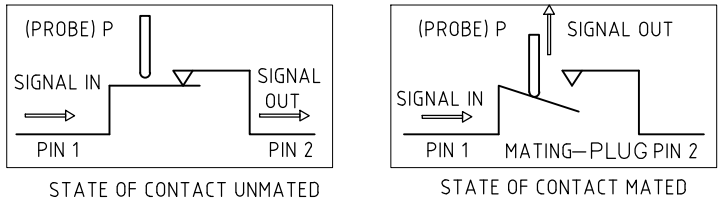


文档密级：  
商业秘密

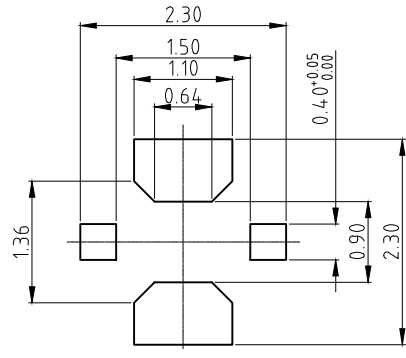
REV.	ECN NUMBER	DESCRIPTION	DATE	DRAWN
A	ECN260936	A版发行	02/06'26	SAM



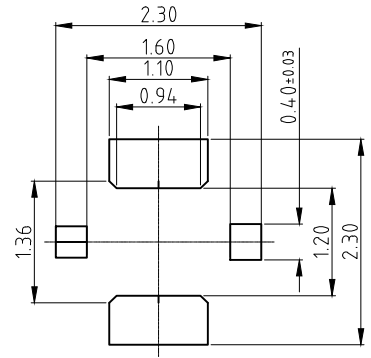
- NOTES:
- 1.1 RATED VOLTAGE:60V AC MAX.
  - 1.2 FREQUENCY RANGE:DC~11GHZ
  - 1.3 IMPEDANCE:50 $\Omega$
  - 1.4 POWER RATING:2W
  - 1.5 OPERATING TEMPERATURE:-40 $^{\circ}$ C~+85 $^{\circ}$ C
  - 1.6 INSULATION RESISTANCE:500M $\Omega$  MIN.
  - 1.7 WITHSTANDING VOLTAGE:300V AC & 1MINUTE
  - 1.8 INITIAL CONTACT RESISTANCE:70M $\Omega$  MAX. (WITHOUT CONDUCTOR RESISTANCE)
  - 2.1 VOLTAGE STANDING WAVE RATIO(VSWR):1.2 MAX. (DC~3GHZ)  
1.3 MAX. (3~6GHZ)  
1.5 MAX. (6~11GHZ)
  - 2.2. INSERTION LOSS:0.10DBMAX. (DC~3GHZ)  
0.20DBMAX. (3~6GHZ)  
0.50DBMAX. (6~11GHZ)
  - 2.3. ISOLATION:20 DBMIN. (DC~3GHZ)  
15 DBMIN. (3~6GHZ)  
10 DBMIN. (6~11GHZ)
  - 2.4. DURABILITY:100 CYCLES
  - 3.1. PACKING TAPE & REEL 10000PCS/REEL ( $\phi 330\text{MM}$ )
  - 3.2. IR REFLOW CYCLE: 2CYCLES



RECOMMENDED PCB LAYOUT  
TOLERANCE  $\pm 0.05\text{MM}$



RECOMMEND METAL MASK  
(Thickness:0.08mm)



RECOMMEND METAL MASK  
(Thickness:0.10mm)

ITEM	DESCRIPTION	Q'TY	MATERIAL/FINISH
(E)	DOWN HOUSING	1	LCP UL94V-0/BLACK
(D)	TOP HOUSING	1	LCP UL94V-0/BLACK
(C)	SHELL	1	COPPER ALLOY/ Ni:50U" MIN COPPER ALLOY/AU:2U" MIN; Ni:50U"MIN
(B)	PIN 2	1	STAINLESS STEEL/AU:2U" MIN; Ni:50U"MIN
(A)	PIN 1	1	STAINLESS STEEL/AU:5U" MIN; Ni:50U"MIN

BOM LIST

	GENERAL TOLERANCE		SCALE: 1:1	DRAWN: 张栋阳	DATE: 2026-03-03	DWG No.: 600-45095-01	TITLE: MINI RF SWITCH 3GEN L2.1xW2x0.95	REV. A
	XX. $\pm$ 0.50	ANGLE	UNIT: mm	CHECK: 王一峰	DATE: 2026-03-06	PARTS No.: N818045095		SHEET: 1/1
	X. $\pm$ 0.35	XX. $^{\circ}$ $\pm$ 2 $^{\circ}$	SIZE: A4	APPROV: 吕银涛	DATE: 2026-03-06			
	.X $\pm$ 0.25	X. $^{\circ}$ $\pm$ 1 $^{\circ}$						
.XX $\pm$ 0.15	.X. $^{\circ}$ $\pm$ 0.5 $^{\circ}$							