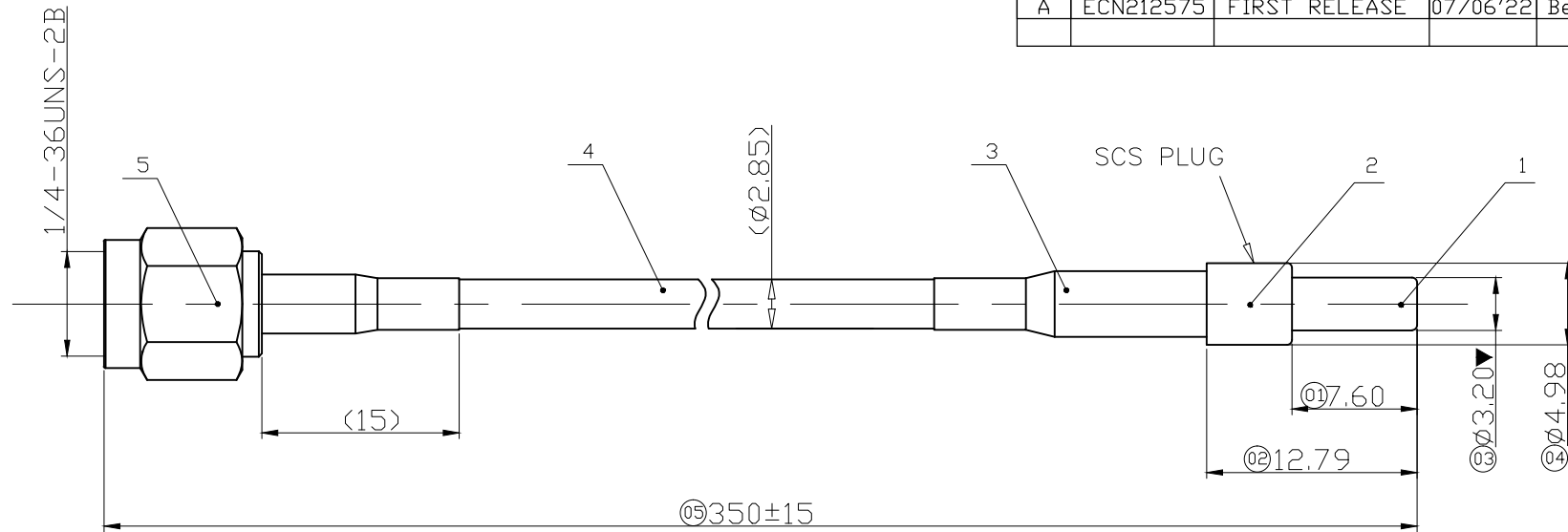


| REV | ECN NUMBER | DESCRIPTION | DATE | DRAWN | CHECKD | APPROVED |
|-----|------------|---------------|----------|-------|--------|----------|
| A | ECN212575 | FIRST RELEASE | 07/06'22 | Beam | Martin | Ken |



NOTE:

- 1.1 工作温度范围 OPERATION TEMPERATURE RANGE: -30°C~+85°C
- 1.2 储存温度范围 STORAGE TEMPERATURE RANGE: -10°C~+40°C
- 1.3 工作湿度范围 OPERATION RELATIVE HUMIDITY: 95%R.H. Max.
- 1.4 阻抗 INPEDANCE: 50 Ω
- 1.5 绝缘电阻 INSULATION RESISTANCE: MORE THAN 1,000 MΩ
- 1.6 耐压 WITHSTANDING VOLTAGE: 1 min/ Ac 100Vrms
- 1.7 驻波 VSWR: 1.5 max (0-3GHz)
- 1.8 损耗 INSERTION LOSS: 1.8 dB max (0-3GHz)

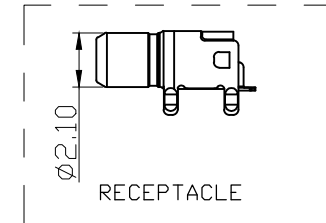
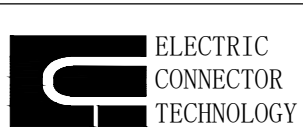


TABLE:

| | | |
|-----|----------------------|------------------|
| 5 | SMA | 镀金 GOLD PLATED |
| 4 | 同轴线 CABLE | 黑色 BLACK |
| 3 | 热缩管 HEAT SHRINK TUBE | 黑色 BLACK |
| 2 | 主体外壳 MAIN BODY SHELL | 镀镍 NICKEL PLATED |
| 1 | 口部外壳 MOUTH SHELL | 镀镍 NICKEL PLATED |
| NO. | PART NAME | MATERIAL |



| GENERAL TOLERANCE | |
|-------------------|------------|
| XX ±0.50 | |
| X ±0.35 | X° ±2.0° |
| .X ±0.25 | .X° ±1.0° |
| .XX ±0.15 | .XX° ±0.5° |

| |
|------------|
| SCALE: 1:1 |
| UNIT: mm |
| SIZE: A4 |

| | |
|---------------|----------------|
| DRAWN: Martin | DATE: 07/30'21 |
| CHECK: | DATE: |
| APPROVE: | DATE: |

| |
|------------------------------------|
| DWG. NO. 600-23115-01 |
| PARTS NO. (INTENDED USE) 818023115 |

| |
|-------------------------|
| TITLE: CUSTOMER DRAWING |
| SCS RF TEST CABLE |
| RG316P-SC*L350SMA-M |

| |
|-----------|
| REV. A |
| SHEET 1/1 |