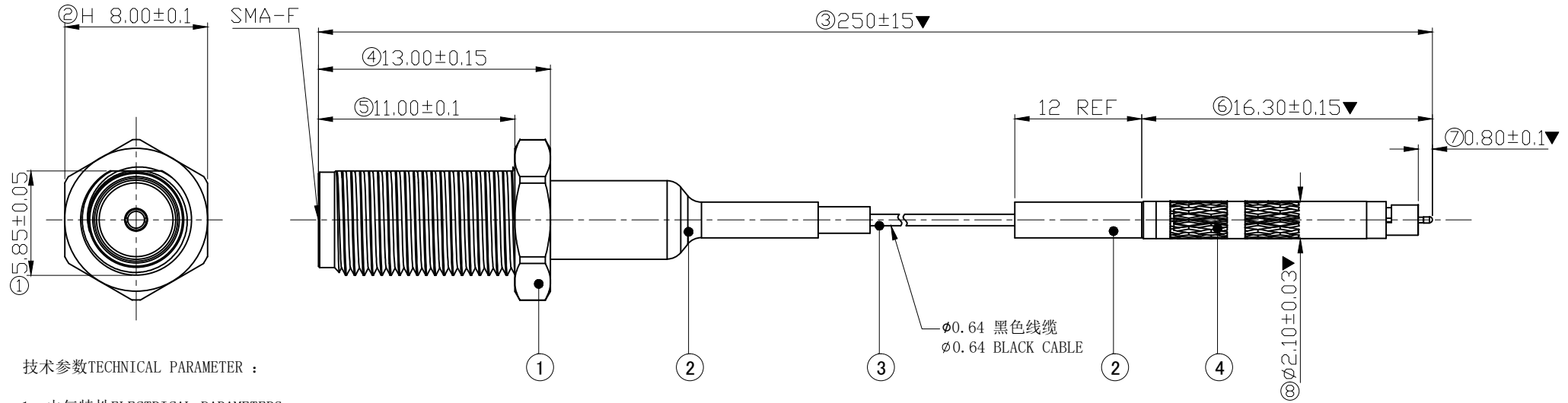


REV.	ECN NUMBER	DESCRIPTION	DATE	DRAWN	CHECKED	APPROVED
A	ECN203278	FIRST EDITION	01/08'22	Beam	Martin	ken



技术参数 TECHNICAL PARAMETER :

1. 电气特性 ELECTRICAL PARAMETERS

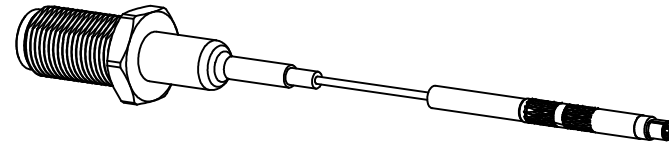
特性阻抗 CHARACTERISTIC IMPEDANCE: 50 Ω;  
 频率范围 WORKING FREQUENCY: DC-6 GHz;  
 电压驻波比 VSWR: < 1.45@DC-3GHz; < 1.5@3-6GHz;  
 插入损耗 INSERTION LOSS: < 1.7dB@DC-3GHz; < 2.5dB@3-6GHz;  
 介质耐压 MEDIUM WITHSTAND VOLTAGE: > 200 V AC/1min

2. 机械性能 MECHANICAL PARAMETERS:

机械耐久性 MECHANICAL DURABILITY: > 500 CYCLES ;

3. 环境特性 ENVIRONMENTAL PARAMETERS

工作温度范围 RANGE OF WORKING TEMPERATURE: -40 °C ~ +85 °C;  
 湿度范围 HUMIDITY RANGE : 15% ~ 85%;  
 标有“▼”为重点检测尺寸, 标有“[X]”为要求做Cpk检测尺寸, 标有“⊗”为首样全检尺寸  
 MARKED “▼” FOR QIP ITEMS, AND MARKED “[X]” FOR CPK ITEMS, MARKED “⊗” FOR FAI ITEMS;  
 有害物质需符合 ECT 《QE-Q-19-001 环境有害物质管理基准》 管控标准。  
 HARMFUL SUBSTANCES MEET ECT “《QE-Q-19-001 ENVIRONMENTAL HARMFUL SUBSTANCES  
 MANAGEMENT STANDARS》” CONTROL SPECIFICATION.



参考3D视图  
REFERENCE 3D VIEW

4	测试连接器端 TEST CONNECTOR PORT	镀金 GILDED
3	线缆 CABLE	黑色 BLACK
2	热缩套管 HEATSHINK SLEEVE	黑色 BLACK
1	SMA端 SMA PORT	镀金 GOLD
序号 NO.	描述 DESCRIBE	表面处理 SURFACE TREATMENT

	GENERAL TOLERANCE		SCALE: 1:1	DRAWN: Hu	DATE: 23/11'20	DWG.NO: 600-23420-01	TITLE: MINI 6V CABLE 16*2.2 φ0.64,L250,SMA-F	REV. A
	XX±0.25	XX.°±2°	UNIT: mm	CHECK:	DATE:	PARTS NO.(INTENDED USE): 818023420		SHEET: 1/1
	X±0.20	X.°±1°	SIZE: X14	APPROVE:	DATE:			
	.X±0.10	.X°±0.5°						
.XX±0.03								