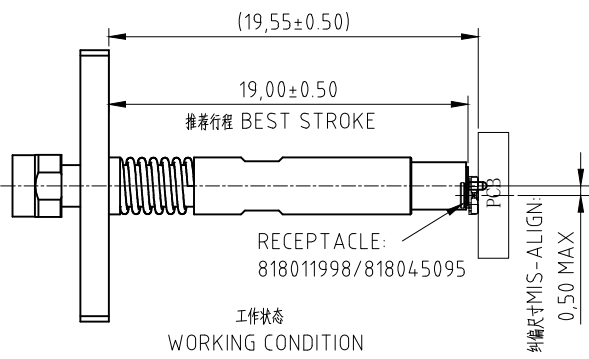
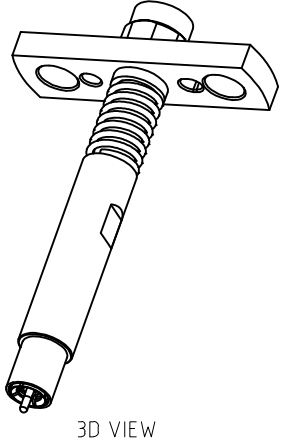
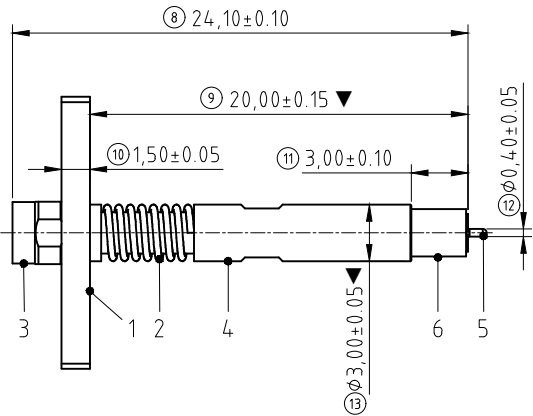
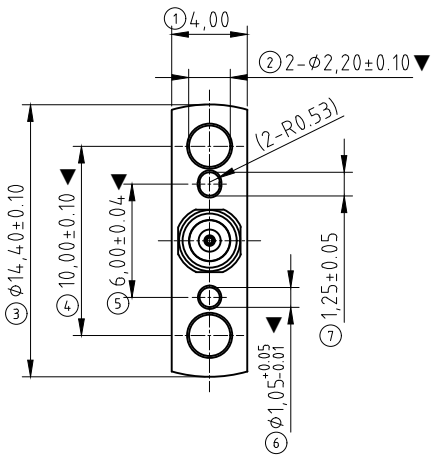


文档密级：
商业秘密

REV.	ECN NUMBER	DESCRIPTION	DATE	DRAWN
A	ECN221261	FIRST EDITION	09/25'25	Weijie



ITEM	DESCRIPTION	QTY
6	RETAINING RING, PASSIVATION	1
5	PROBE, GOLD PLATED	1
4	BODY B, GOLD PLATED	1
3	BODY A, GOLD PLATED	1
2	SPRING, PASSIVATION	1
1	FLANGE, NICKEL PLATED	1

技术参数 TECHNICAL PARAMETER :

- 电气特性 ELECTRICAL CHARACTERISTICS
 - 特性阻抗 CHARACTERISTIC IMPEDANCE: 50 Ω;
 - 频率范围 FREQUENCY RANGE : DC-8 GHZ;
 - 电压驻波比 VSWR: <1.30@DC-3GHZ; <1.40@3-8GHZ;
 - 插入损耗 INSERTION LOSS: <0.40DB@DC-3GHZ; <0.60DB@3-6GHZ; <0.80DB@6-8GHZ;
 - 耐压 WITHSTANDING VOLTAGE: > 500 V AC/1MIN;
- 机械特性 MECHANICAL PROPERTIES:
 - 耐久性 DURABILITY: > 20000 CYCLES;
- 环境特性 ENVIRONMENTAL CHARACTERISTICS :
 - 工作温度范围 RANGE OF WORKING TEMPERATURE: -40℃~+85℃;
 - 湿度范围 HUMIDITY RANGE : 15%~85%;
 - 有害物质需符合ECT《QE-Q-19-001环境有害物质管理基准》管控标准。 HAZARDOUS SUBSTANCES SHALL COMPLY WITH ECT<QE-9-19-001 ENVIRONMENTAL HAZARDOUS SUBSTANCES MANAGEMENT BENCHMARK "CONTROL STANDARD IT.

	GENERAL TOLERANCE		SCALE: 2.5:1	DRAWN:	DATE:	DWG No.: 600-1316006-01	TITLE MINI RF 3GEN TEST ADAPTER	REV. A
	XX. ± 0.20	ANGLE	UNIT: mm	CHECK:	DATE:	PARTS No.: 8181316006		SHEET: 1/1
	X. ± 0.15	XX. ° ± 2°	SIZE: A4	APPROVE:	DATE:			
	.X ± 0.10	X. ° ± 1°						
.XX ± 0.08	.X ° ± 0.5°							