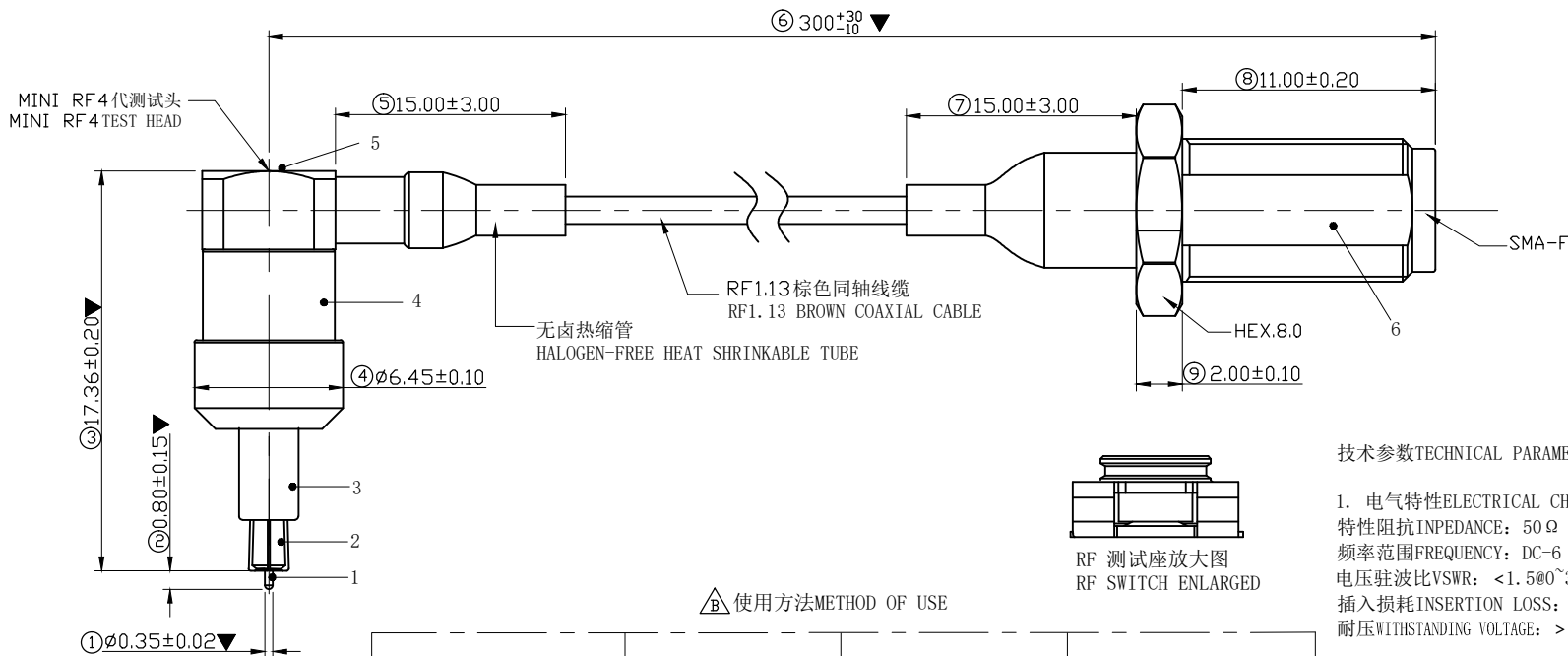
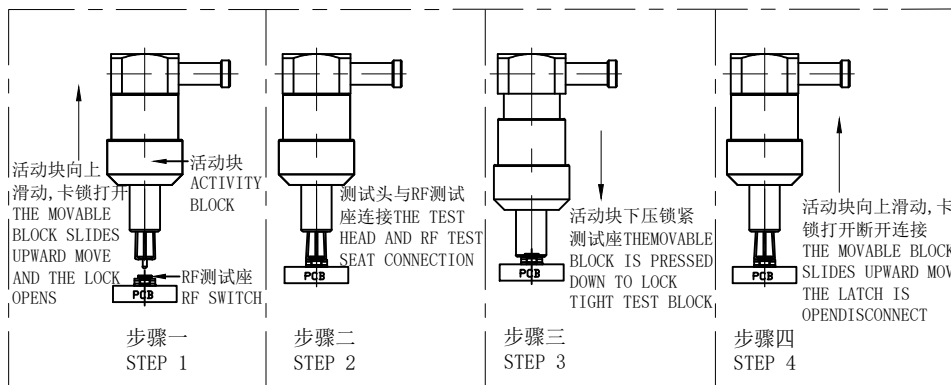


REV.	ECN NUMBER	DESCRIPTION	DATE	DRAWN	CHECKED	APPROVED
A	ECN192207	FIRST EDITION	20-07-18	Hong	Martin	Ken
B	ECN211253	增加使用方法 ADD METHOD OF USE	21-05-31	Hong	Martin	Ken



△ 使用方法 METHOD OF USE



技术参数 TECHNICAL PARAMETERS:

1. 电气特性 ELECTRICAL CHARACTERISTICS

特性阻抗 IMPEDANCE: 50 Ω
 频率范围 FREQUENCY: DC~6 GHz
 电压驻波比 VSWR: <1.5@0~3GHz; <1.6@3~6GHz;
 插入损耗 INSERTION LOSS: <2.0dB@0~3GHz; <3.0dB@3~6GHz
 耐压 WITHSTANDING VOLTAGE: > 300 V AC/1MIN

2. 机械特性 MECHANICAL PROPERTIES

机械耐久性 DURABILITY: > 1000 CYCLES
 护套未收拢前 BEFORE THE SHEATH IS FOLDED:
 外导体插入力 EXTERNAL CONDUCTOR INSERTION FORCE <1N
 护套收拢到位 THE SHEATH WAS FOLDED INTO PLACE:
 外导体拔出 THE OUTER CONDUCTOR DIALS THE OUTPUT >5N

3. 环境特性

工作温度范围 OPERATING TEMPERATURE RANGE: -40℃~+85℃
 湿度范围 HUMIDITY RANGE: 15%~85%。
 有害物质需符合 ECT "QE-Q-19-001 环境有害物质管理基准" 管控标准。
 HAZARDOUS SUBSTANCES SHALL CONFORM TO ECT "QE-Q-19-001 ENVIRONMENTAL HAZARDOUS SUBSTANCES MANAGEMENT STANDARD"

6	SMA	镀金 GOLD PLATED
5	后盖 BACK COVER	镀镍 NICKEL PLATED
4	主体 BODY	镀镍 NICKEL PLATED
3	外壳 THE SHELL	镀金 GOLD PLATED
2	外导体 OUTER CONDUCTOR	镀金 GOLD PLATED
1	探针 PROBE	镀金 GOLD PLATED
NO.	DESCRIPTION	FINISH



ELECTRIC
CONNECTOR
TECHNOLOGY

GENERAL TOLERANCE	
XX ± 0.40	XX.° ± 2°
X ± 0.25	X.° ± 1°
.X ± 0.08	.X° ± 0.5°
.XX ± 0.05	

SCALE:	3:1
UNIT:	mm
SIZE:	A4

DRAWN:	Dre	DATE:	12/24'19
CHECK:		DATE:	
APPROVE:		DATE:	

DWG.NO:	600-17663-01
PARTS NO.(INTENDED USE):	818017663

TITLE:	MINI RF TYPE 4 TO SMA FOR RF1.13 CABLE
--------	---

REV.	B
SHEET:	1/1