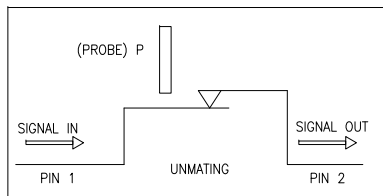
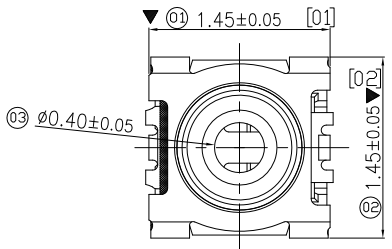
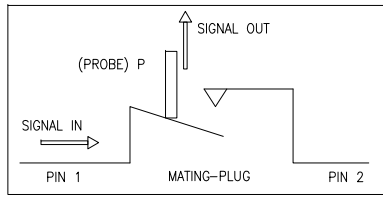
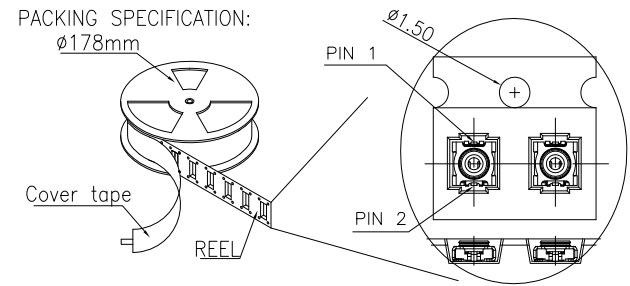


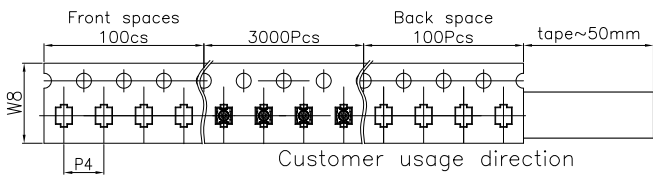
Rev.	ECN Number	Description	Date	Drawn	Checkd	Approved
A	ECN191259	FIRST RELEASE	11/25'19	Qian	Martin	Ken



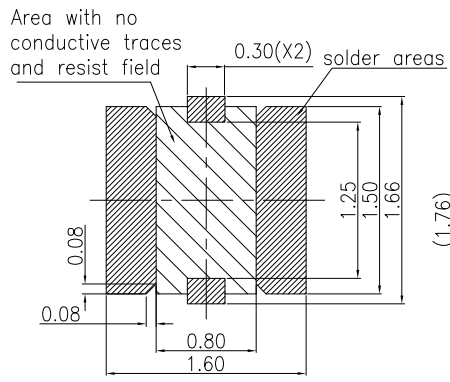
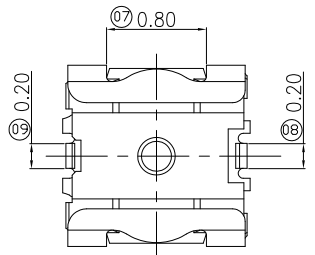
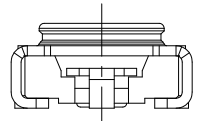
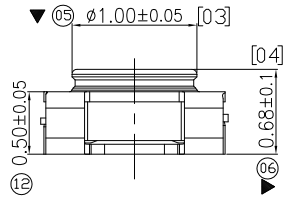
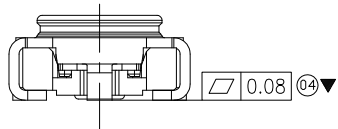
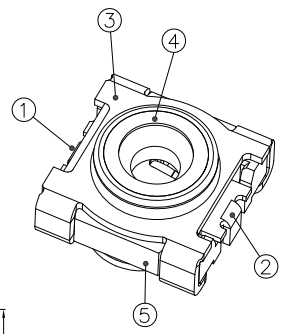
STATE OF CONTACT UNMATED



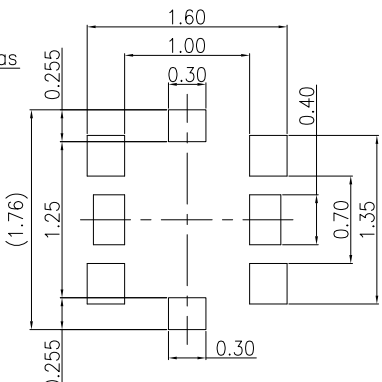
STATE OF CONTACT MATED



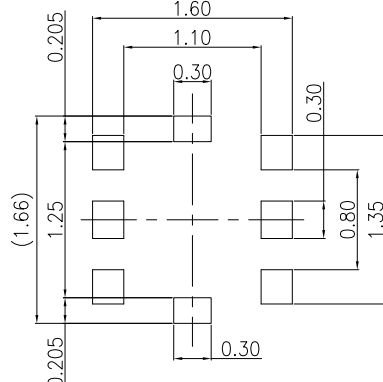
- NOTES:
- Power Handling 2W
  - Frequency Range 0~11GHz
  - Impedance 50Ω
  - Operating Temperature -40°C~+85°C
  - Voltage Standing Wave Ratio(VSWR)
    - 1.3 max.(DC~3GHz)
    - 1.4 max.(3~6GHz)
    - 1.5 max.(6~11GHz)
  - Insertion loss
    - 0.15dBmax.(DC~3GHz)
    - 0.25dBmax.(3~6GHz)
    - 0.4 dBmax.(6~11GHz)
  - Isolation
    - 25 dBmin.(DC~3GHz)
    - 20 dBmin.(3~6GHz)
    - 15 dBmin.(6~11GHz)
  - Durability 30 cycles
  - Packing tape & reel 3000Pcs/Reel (∅178mm)
  - IR Reflow CYCLE: 2cycles



RECOMMENDED PCB LAYOUT  
TOLERANCE ±0.03MM



RECOMMEND METAL MASK  
(Thickness:0.08mm)  
The dioneasional tolerance to be ±0.03



RECOMMEND METAL MASK  
(Thickness:0.10mm)  
The dioneasional tolerance to be ±0.03

ITEM	DESCRIPTION	Q'TY	MATERIAL/FINISH
⑤	DOWN HOUSING	1	LCP UL94V-0/BLACK
④	TOP HOUSING	1	LCP UL94V-0/BLACK
③	SHELL(GND)	1	SUS/Ni:50u"Min. Solder area gold falsh;
②	PIN 2(Output)	1	SUS/Ni:50u"Min. Contact area Au2u"Min,Solder area gold falsh;
①	PIN 1(Input)	1	SUS/Ni:50u"Min. Contact area Au5u"Min,Solder area gold falsh;

BOM LIST

	GENERAL TOLERANCE		SCALE: 1:1	DRAWN LW	DATE 08/30'19	DWG. NO. 600-10311-01	TITLE CUSTOMER DRAWING	REV. A
	XX. ±0.50		UNIT: mm	CHECK	DATE	PARTS NO.(INTENDED USE)	MINI RF V CONN.,	SHEET
	X. ±0.35	X° ±2.0°	SIZE: A4	APPROVE	DATE	818010311	L1.45*W1.45*H0.68mm	1/1
	.X ±0.25	.X° ±1.0°						
.XX ±0.15	.XX° ±0.5°							