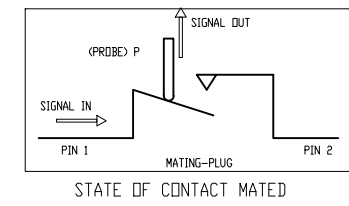
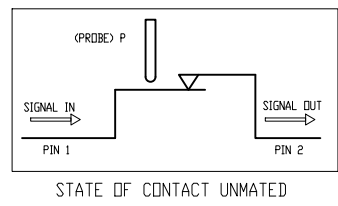
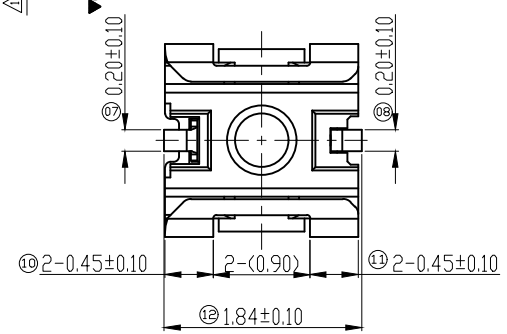
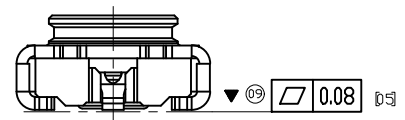
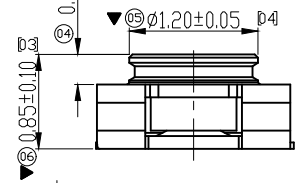
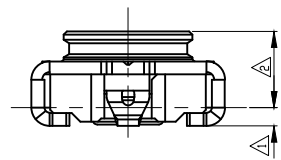
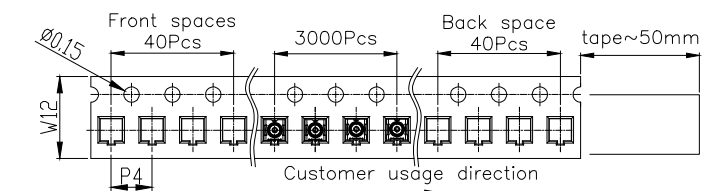
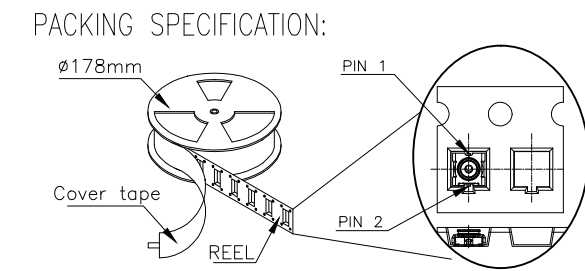
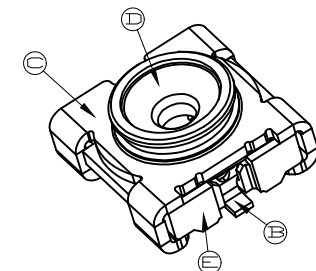
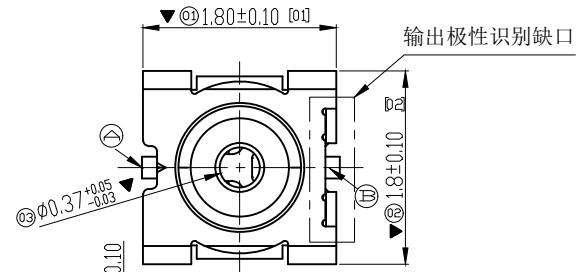
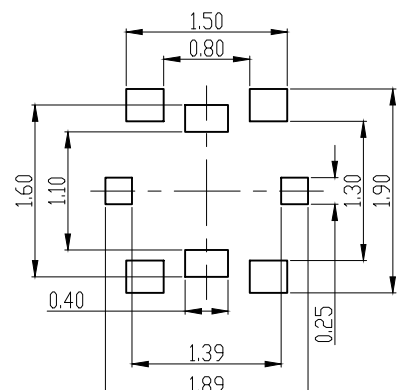
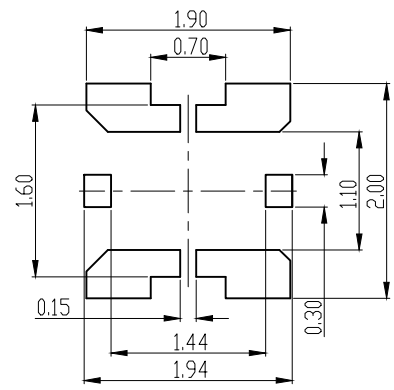
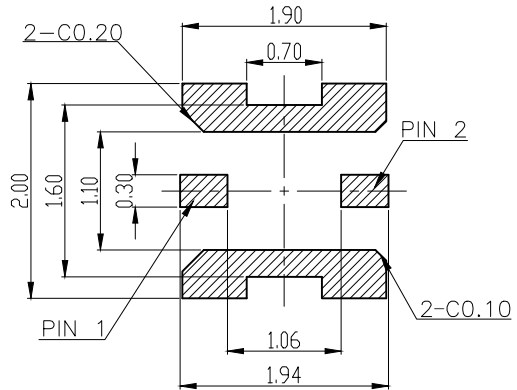


Rev.	ECN Number	Description	Date	Drawn	Checkd	Approved
D	ECNI70858	修订推荐钢网规格	10/10'17	Martin	Ken	Tan



- NOTES:
- Rated Voltage: 60V AC max.
  - Frequency Range: DC~11GHz
  - Impedance: 50 $\Omega$
  - Power Rating: 2W
  - Operating Temperature: -40°C~+85°C
  - Insulation Resistance: 1000M $\Omega$  min.
  - Withstanding Voltage: 100V AC & 1minute
  - Initial Contact Resistance: 100 m $\Omega$  max. (Without conductor resistance)
- Voltage Standing Wave Ratio(VSWR)
    - max.(DC~3GHz)
    - max.(3~6GHz)
    - max.(6~11GHz)
  - Insertion loss
    - 0.1 dBmax.(DC~3GHz)
    - 0.2 dBmax.(3~6GHz)
    - 0.3 dBmax.(6~11GHz)
  - Isolation
    - 20 dBmin.(DC~3GHz)
    - 15 dBmin.(3~6GHz)
    - 10 dBmin.(6~11GHz)
  - Durability: 100 cycles
  - Packing tape&reel 3000Pcs/Reel ( $\varnothing 178\text{mm}$ )
  - IR Reflow Cycles: 2cycles
  - Allow the push force range is 1.5 to 2.5N.



(E)	DOWN HOUSING	1	LCP UL94V-0/BLACK
(D)	TOP HOUSING	1	LCP UL94V-0/BLACK
(C)	SHELL	1	Copper Alloy/Ni:50u" Min
			Copper Alloy/Au:2u" Min; Ni:50u" Min
(B)	PIN 2	1	Stainless Steel/Au:2u" Min; Ni:50u" Min
(A)	PIN 1	1	Stainless Steel/Au:5u" Min; Ni:50u" Min
ITEM	DESCRIPTION	Q'TY	MATERIAL/FINISH

BOM LIST

	GENERAL TOLERANCE		SCALE: 1:1	DRAWN: Martin	DATE: 10/10'17	DWG. NO. 600-3767-01	TITLE: CUSTOMER DRAWING	REV. D
	XX. $\pm 0.50$		UNIT: mm	CHECK: Ken	DATE: 10/10'17			PARTS NO.(INTENDED USE)
	X. $\pm 0.35$	X.° $\pm 2.0^\circ$	SIZE: A4	APPROVE: Tan	DATE: 10/10'17	818003767		MINI RF IV CONN., L1.80*W1.80*H0.85mm
	.X $\pm 0.25$	.X° $\pm 1.0^\circ$						
.XX $\pm 0.15$	.XX° $\pm 0.5^\circ$							