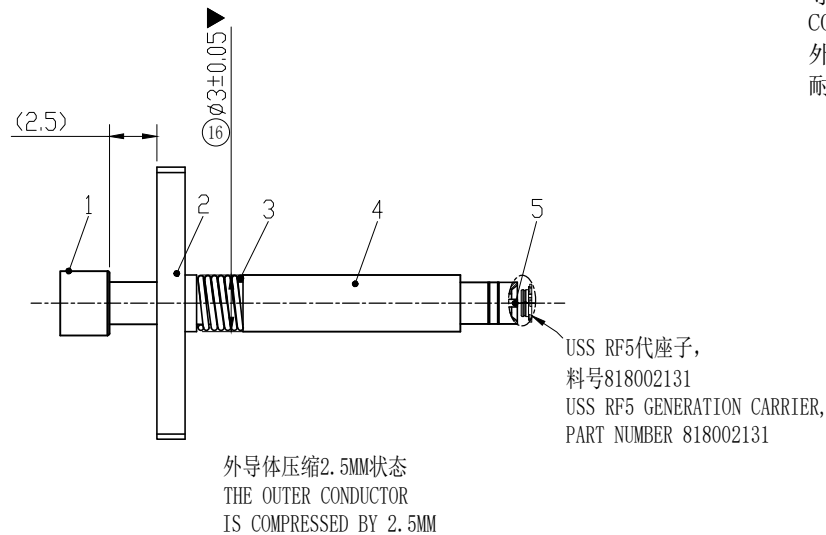
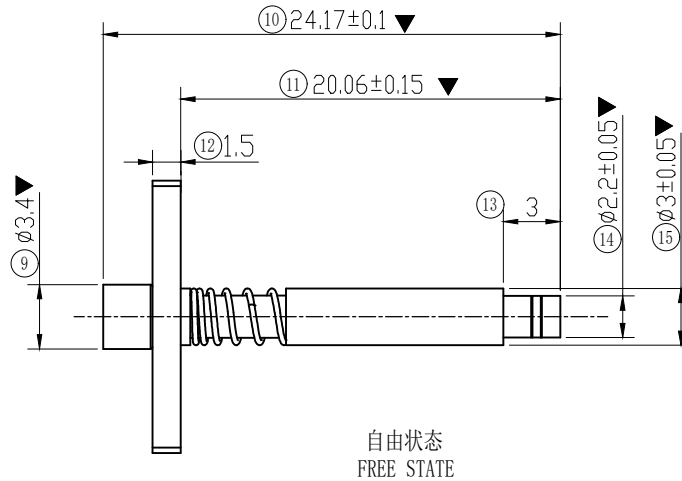
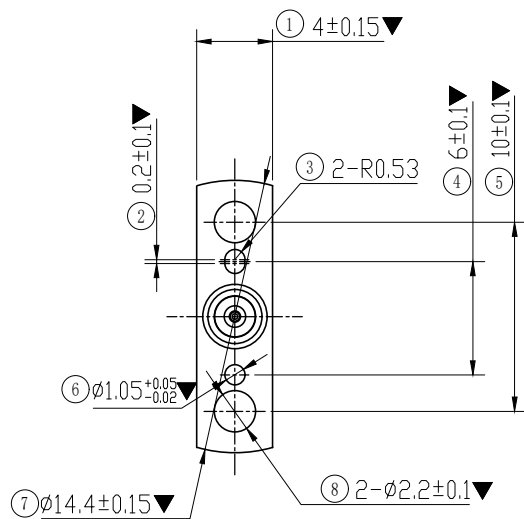


| REV. | ECN NUMBER | DESCRIPTION                       | DATE     | DRAWN  | CHECKED | APPROVED |
|------|------------|-----------------------------------|----------|--------|---------|----------|
| A    | ECN202241  | FIRST RELEASE                     | 04/26/21 | Beam   | Martin  | ken      |
| B    | ECN234981  | 增加英文描述<br>ADD ENGLISH DESCRIPTION | 09/17/23 | Weijie | Martin  | ken      |



主要参数 THE MAIN PARAMETERS:

- 特性阻抗 CHARACTERISTIC IMPEDANCE: 50 OHM;
- 工作频率 WORKING FREQUENCY: DC~6.0GHZ;
- 驻波比 VOLTAGE STANDING WAVE RATIO: 1.15 MAX (DC~3.0GHZ);  
1.20 MAX (3.0~6.0GHZ);
- 插入损耗 INSERTION LOSS: 0.25DB MAX. (DC~3.0GHZ);  
0.35DB MAX. (3.0~6.0GHZ);
- 耐压 MEDIUM WITHSTAND VOLTAGE: 500V AC/1MIN.
- 温度范围 TEMPERATURE RANGE: -40~+85°C;
- 湿度范围 HUMIDITY RANGE: 15%~85%;
- 有害物质需符合ECT《QE-Q-19-001环境有害物质管理基准》  
管控标准。  
HARMFUL SUBSTANCES MEET ECT“《QE-Q-19-001 ENVIRONMENTAL HARMFUL  
SUBSTANCES MANAGEMENT STANDARS》” CONTROL SPECIFICATION;
- 机械特性 MECHANICAL PROPERTIES:  
导体推荐工作行程 RECOMMENDED WORKING STROKE OF OUTER  
CONDUCTOR: 1.5~2.4MM;  
外导体极限行程 OUTER CONDUCTOR LIMIT STROKE:2.5MM MIN  
耐久性 MECHANICAL DURABILITY: 20000 CYCLES.

|     |                    |                 |
|-----|--------------------|-----------------|
| 5   | 探针PROBE            | 镀金GOLD PLATED   |
| 4   | 外导体OUTER CONDUCTOR | 镀金GOLD PLATED   |
| 3   | 弹簧SPRING           | 钝化PASSIVATION   |
| 2   | 法兰FLANGE           | 镀镍NICKEL PLATED |
| 1   | 主体MAIN BODY        | 镀金GOLD PLATED   |
| NO. | TITLE              | FINISH          |



GENERAL TOLERANCE

|         |        |
|---------|--------|
| XX±0.40 | XX°±3° |
| X±0.25  | X°±2°  |
| .X±0.20 | .X°±1° |
| XX±0.13 |        |

SCALE:

1:1

DRAWN: Weijie

DATE: 09/17/23

DWG.NO:

600-22025-01

TITLE:

USS RF 5代机用测试头  
MACHINE TEST HEAD

REV.

B

SHEET:

1/1

UNIT:

mm

CHECK:

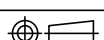
DATE:

PARTS NO.<INTENDED USE>:

818022025

SIZE:

A4



APPROVE:

DATE: