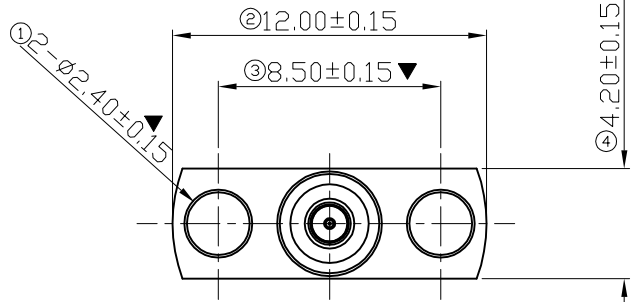


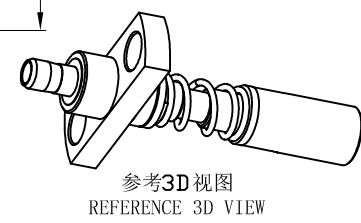
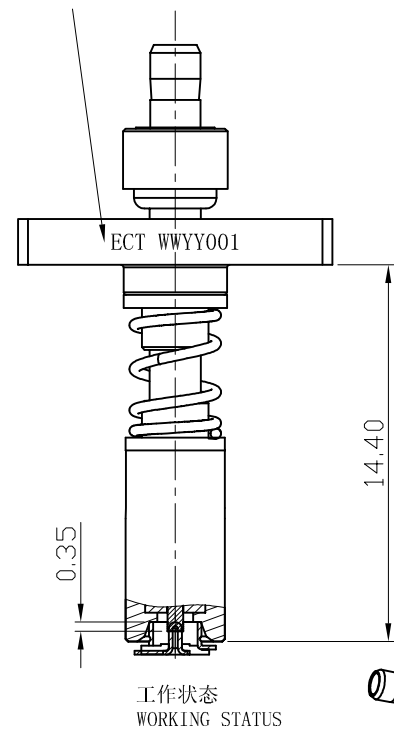
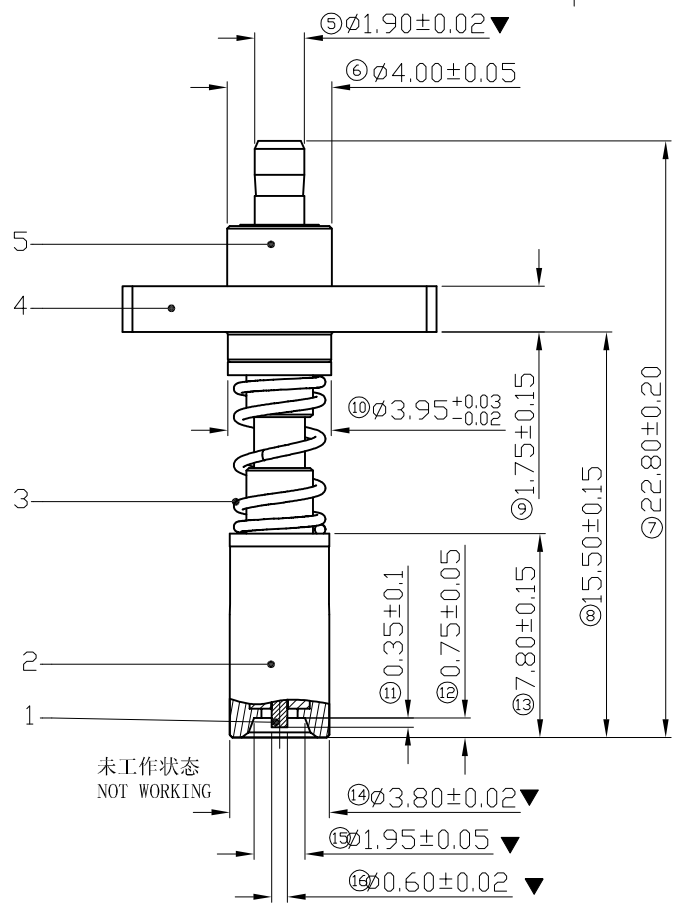
REV.	ECN NUMBER	DESCRIPTION	DATE	DRAWN	CHECKED	APPROVED
A	ECN202246	FIRST EDITION	08/27'21	hu	Martin	ken



成品激光刻字内容: ECT WWYY001
 ECT代表深圳电连, WWYY代表年周,
 例如: 2019年第15周, 刻1915
 LASER LETTERING CONTENT OF FINISHED
 PRODUCT: ECT WWYY001
 ECT STANDS FOR SHENZHEN ELECTRIC
 COMPANY, WWYY STANDS FOR YEAR AND WEEK,
 FOR EXAMPLE: THE 15TH WEEK OF 2019,
 ENGRAVED 1915

NOTE:

- 电气参数ELECTRICAL PARAMETERS:
 - 特性阻抗CHARACTERISTIC IMPEDANCE: 50 Ω
 - 工作频率WORKING FREQUENCY: 0~6GHz
 - 电压驻波比VSWR: 1.3 Max. (0~3GHz)
1.4 Max. (3~6GHz)
 - 插入损耗INSERTION LOSS: 0.35 dB Max. (0~3GHz)
0.55 dB Max. (3~6GHz)
 - 介质耐压MEDIUM WITHSTAND VOLTAGE: 300V
 - 绝缘阻抗INSULATION RESISTANCE: 100MΩ
 - 内导体接触阻抗INNER CONDUCTOR CONTACT IMPEDANCE: 100 mΩ
 - 外导体接触阻抗OUTER CONDUCTOR CONTACT IMPEDANCE: 100 mΩ
- 机械参数MECHANICAL PARAMETERS:
 - 法兰盘压缩1.1mm时弹力600±100克
WHEN THE FLANGE IS COMPRESSED BY 1.1mm,
THE ELASTIC FORCE IS 600±100g
 - 中心针压缩0.35mm时弹力270±40克
WHEN THE CENTER NEEDLE IS COMPRESSED BY
0.35MM, THE ELASTIC FORCE IS 270±40g
 - 机械耐久性MECHANICAL DURABILITY: 25000TIMES
- 环境参数ENVIRONMENTAL PARAMETERS:
 - 温度范围TEMPERATURE RANGE: -40~+85℃
 - 湿度范围HUMIDITY RANGE: 15%~85%
 - 有害物质需符合ECT《QE-Q-19-001环境有害物质管理基准》管控标准。
ARMFUL SUBSTANCES MEET ECT “《QE-Q-19-001 ENVIRONMENTAL HARMFUL
SUBSTANCES MANAGEMENT STANDARS》” CONTROL SPECIFICATION.



NO.	DESCRIPTION	FINISH
5	主体B ONTOLOGY B	镀镍 NICKEL-PLATING
4	法兰 FLANGE	镀镍 NICKEL-PLATING
3	弹簧 SPRING	不锈钢&钝化 STAINLESS STEEL & PASSIVATION
2	主体A ONTOLOGY A	镀金 GOLD-PLATING
1	PIN针 PIN NEEDLE	镀金 GOLD-PLATING

	GENERAL TOLERANCE		SCALE:	DRAWN:	DATE:	DWG.NO:	TITLE:	REV.
	XX±0.25	XX,°±2°	1:1	Hu	08/27'20	600-21926-01	USS RF TEST ADAPTER 2GEN 22.8*12*4.2	A
	X±0.20	X,°±1°	UNIT:	CHECK:	DATE:	PARTS NO.(INTENDED USE):		SHEET:
	.X±0.10	.X°±0.5°	mm	APPROVE:	DATE:	818021926	1/1	
	.XX±0.03		SIZE: A4					