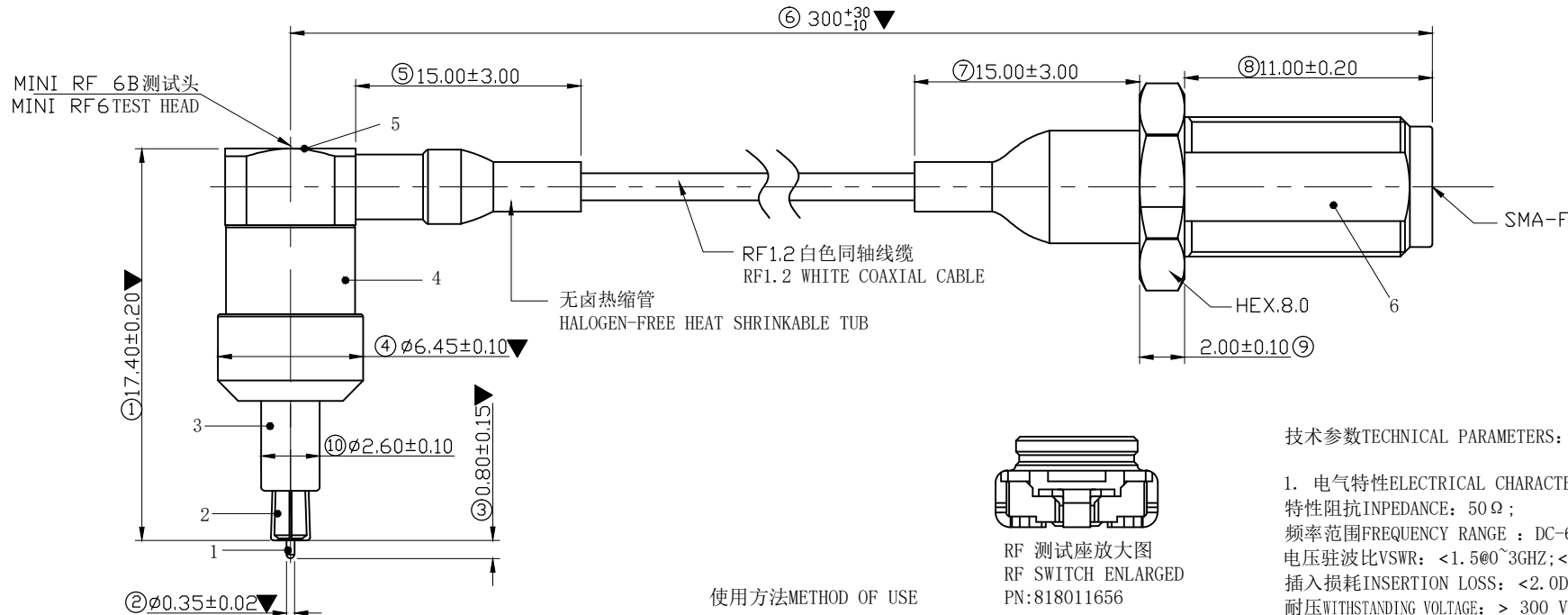
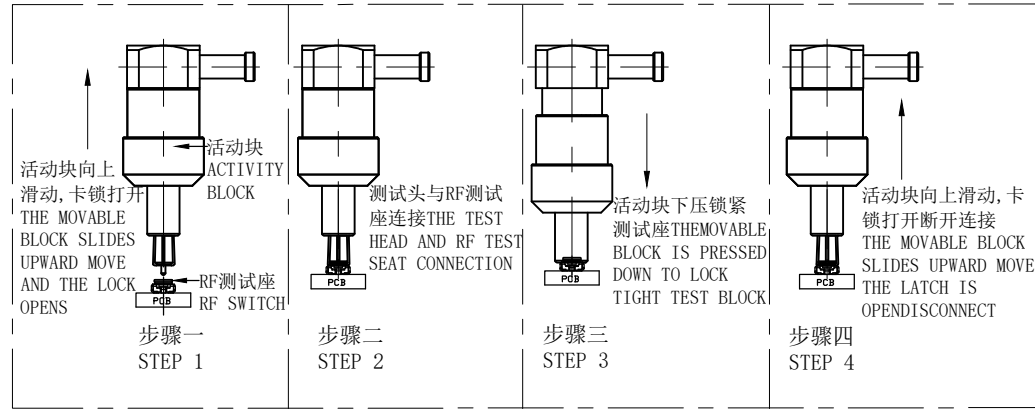


REV.	ECN NUMBER	DESCRIPTION	DATE	DRAWN	CHECKED	APPROVED
A	ECN203171	FIRST EDITION	21-04-23	Beam	Martin	Ken
B	ECN220799	增加英文ADD ENGLISH	22-02-26	Beam	Martin	Ken



使用方法METHOD OF USE



技术参数TECHNICAL PARAMETERS:

1. 电气特性ELECTRICAL CHARACTERISTICS
 特性阻抗IMPEDANCE: 50 Ω;
 频率范围FREQUENCY RANGE: DC-6 GHz;
 电压驻波比VSWR: <1.5@0~3GHz; <1.6@3~6GHz;
 插入损耗INSERTION LOSS: <2.0dB@0~3GHz, <3.0dB@3~6GHz;
 耐压WITHSTANDING VOLTAGE: > 300 V AC/1MIN;

2. 机械特性MECHANICAL PROPERTIES
 机械耐久性DURABILITY: > 1000 CYCLES;
 护套未收拢前BEFORE THE SHEATH IS FOLDED:
 外导体插入力EXTERNAL CONDUCTOR INSERTION FORCE<1N;
 护套收拢到位THE SHEATH WAS FOLDED INTO PLACE:
 外导体拨出力THE OUTER CONDUCTOR DIALS THE OUTPUT>5N;

3. 环境特性ENVIRONMENTAL CHARACTERISTICS
 工作温度范围OPERATING TEMPERATURE RANGE:-40℃~+85℃;
 湿度范围HUMIDITY RANGE: 15%~85%;
 有害物质需符合ECT《QE-Q-19-001环境有害物质管理基准》
 管控标准。
 HAZARDOUS SUBSTANCES SHALL CONFORM TO
 ECT“QE-Q-19-001ENVIRONMENTAL HAZARDOUS SUBSTANCES
 MANAGEMENT STANDARD”。

6	SMA	镀金GOLD PLATED
5	后盖BACK COVER	镀镍NICKEL PLATED
4	主体 BODY	镀镍NICKEL PLATED
3	外壳SHELL	镀镍NICKEL PLATED
2	外导体OUTER CONDUCTOR	镀金GOLD PLATED
1	探针PROBE	镀金GOLD PLATED
NO.	DESCRIPTION	FINISH

	GENERAL TOLERANCE		SCALE: 3:1	DRAWN: Beam	DATE: 11/29'20	DWG.NO: 600-23303-01	TITLE: MINI RF TYPE 6B TO SMA FOR RF1.20 CABLE	REV. B
	XX±0.40	XX,°±2°	UNIT: mm	CHECK:	DATE:	PARTS NO.(INTENDED USE): 818023303	SHEET: 1/1	
	X±0.25	X,°±1°	SIZE: A4	APPROVE:	DATE:			
	.X±0.08	.X°±0.5°						
.XX±0.05								