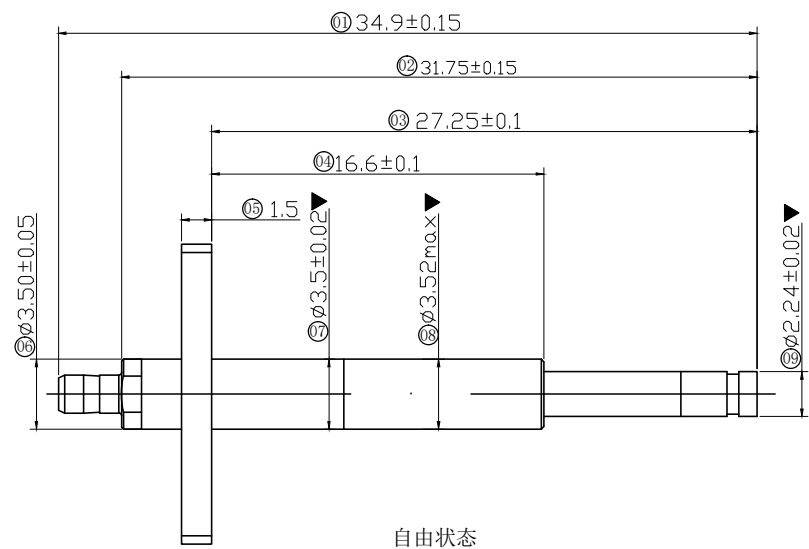
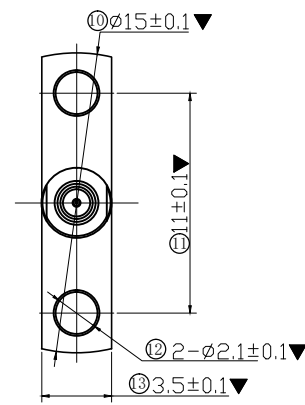


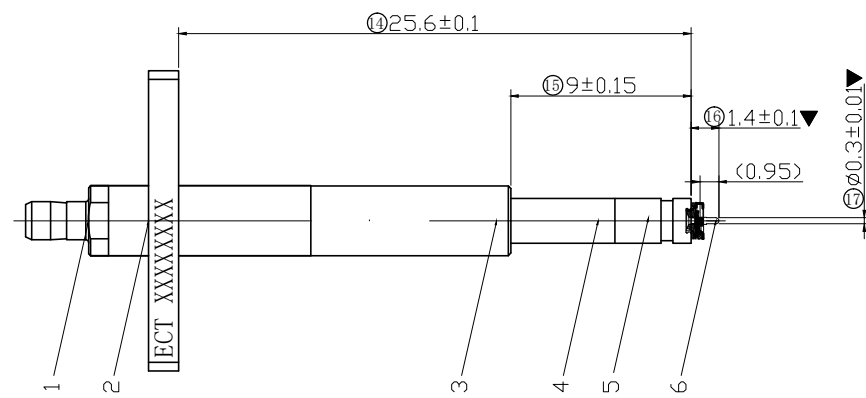
REV.	ECN NUMBER	DESCRIPTION	DATE	DRAWN	CHECKED	APPROVED
A	ECN201780	FIRST RELEASE	11/29'22	Beam	Martin	ken



自由状态
FREE STATE



- 主要参数 THE MAIN PARAMETERS :
1. 材料 MATERIAL : 外壳, 弹簧- 不锈钢, 表面钝化
SHELL, SPRING-STAINLESS STEEL, SURFACE PASSIVATION
外导体 - 黄铜, 表面镀金
OUTER CONDUCTOR-BRASS, GOLD-PLATED SURFACE
探针, 内导体 - 铍铜, 表面镀金
PROBE, INNER CONDUCTOR-BERYLLIUM COPPER, GOLD-PLATED SURFACE
绝缘子- PTFE
 2. 特性阻抗 NOMINAL IMPEDANCE: 50 OHM.
 3. 频率范围 FREQUENCY RANGE: DC~6.0GHz.
 4. 驻波比 VSWR: 1.30 MAX (DC~3.0GHz) ;
1.40 MAX (3.0~6.0GHz) ;
 5. 插入损耗 INSERTION LOSS: 0.4dB MAX. (DC~3.0GHz) ;
0.6dB MAX. (3.0~6.0GHz) ;
 6. 耐压 DIELECTRIC WITHSTANDING VOLTAGE: 300V AC/1min.
 7. 弹力 ELASTIC FORCE:
探针弹力 PROBE ELASTICITY : 230~310gf @内导体压缩
INNER CONDUCTOR COMPRESSION 0.9mm
外导体弹力 ELASTIC FORCE OF EXTERNAL CONDUCTOR: 250~450gf @
外导体压缩 EXTERNAL CONDUCTOR COMPRESSION 1.6mm
机械寿命 DURABILITY: 10000CYCLES
 8. 温度范围 TEMPERATURE RANGE: -40~+85°C.
 9. 湿度范围 HUMIDITY RANGE: 15%~85%.
 10. 有害物质需符合ECT 《QE-Q-19-001环境有害物质管理基准》 管控标准。
ALL THE MATERIALS MUST BE COMPLIANT WITH QE-Q-19-001 "
ENVIRONMENTAL HAZARDOUS SUBSTANCES MANAGEMENT "



极限压缩1.65mm状态
LIMIT COMPRESSION 1.65MM STATE

6	探针 PROBE	镀金 GOLD PLATED
5	外导体B OUTER CONDUCTOR B	镀金 GOLD PLATED
4	内导体B INNER CONDUCTOR B	镀金 GOLD PLATED
3	外壳B SHELL B	钝化 PASSIVATION
2	外壳A SHELL A	钝化 PASSIVATION
1	外导体A OUTER CONDUCTOR A	镀金 GOLD PLATED
NO.	DESCRIPTION	FINISH



ELECTRIC CONNECTOR TECHNOLOGY	GENERAL TOLERANCE		SCALE: 1:1	DRAWN: Beam	DATE: 11/29'22	DWG.NO: 600-17733-01	TITLE: (CUSTOMER DRAWING) MINI RF IV TO ML51 MALE ADAPTOR3.50	REV. A
	XX± 0.40	XX,°± 3°	UNIT: mm	CHECK:	DATE:			PARTS NO.(INTENDED USE): 818017733
	X± 0.25	X,°± 2°		APPROVE:	DATE:			
	.X± 0.20	.X°± 1°	SIZE: A4					
.XX± 0.13								